



SANYO Semiconductors

DATA SHEET

LC863448C,LC863440C
LC863432C,LC863428C
LC863424C,LC863420C
LC863416C

CMOS IC
 48K/40K/32K/28K/24K/20K/16K-byte ROM,
 CGROM16K-byte
 on-chip 640/512-byte RAM and 352x9 bit OSD RAM
8-bit 1-chip Microcontroller

Overview

The LC863448C/40C/32C/28C/24C/20C/16C are 8-bit single chip microcontrollers with the following on-chip functional blocks:

- CPU: Operable at a minimum bus cycle time of 0.424 μ s
- On-chip ROM capacity
 Program ROM: 48K/40K/32K/28K/24K/20K/16K bytes
 CGROM: 16K bytes
- On-chip RAM capacity: 640/512 bytes
- OSD RAM: 352x9 bits
- Closed-Caption TV controller and the on-screen display controller
- Closed-Caption data slicer
- Four channelsx6-bit AD Converter
- Three channelsx7-bit PWM
- 16-bit timer/counter, 14-bit base timer

Continued on next page.

Note : This product includes the IIC bus interface circuit. If you intend to use the IIC bus interface, please notify us of this in advance of our receiving your program ROM code order.
 Purchase of SANYO IIC components conveys a license under the Philips IIC Patents Rights to use these components in an IIC system, provided that the system conforms to the IIC Standard Specification as defined by Philips.

Trademarks

IIC is a trademark of Philips Corporation.

- Any and all SANYO Semiconductor Co.,Ltd. products described or contained herein are, with regard to "standard application", intended for the use as general electronics equipment (home appliances, AV equipment, communication device, office equipment, industrial equipment etc.). The products mentioned herein shall not be intended for use for any "special application" (medical equipment whose purpose is to sustain life, aerospace instrument, nuclear control device, burning appliances, transportation machine, traffic signal system, safety equipment etc.) that shall require extremely high level of reliability and can directly threaten human lives in case of failure or malfunction of the product or may cause harm to human bodies, nor shall they grant any guarantee thereof. If you should intend to use our products for applications outside the standard applications of our customer who is considering such use and/or outside the scope of our intended standard applications, please consult with us prior to the intended use. If there is no consultation or inquiry before the intended use, our customer shall be solely responsible for the use.
- Specifications of any and all SANYO Semiconductor Co.,Ltd. products described or contained herein stipulate the performance, characteristics, and functions of the described products in the independent state, and are not guarantees of the performance, characteristics, and functions of the described products as mounted in the customer's products or equipment. To verify symptoms and states that cannot be evaluated in an independent device, the customer should always evaluate and test devices mounted in the customer's products or equipment.

SANYO Semiconductor Co., Ltd.

www.semiconductor-sanyo.com/network

Continued from preceding page.

- IIC-bus compliant serial interface circuit (Multi-master type)
 - ROM correction function
 - 12-source 8-vectored interrupt system
 - Integrated system clock generator and display clock generator
 - Only one X'tal oscillator (32.768kHz) for PLL reference is used for both generators
 - TV control and the Closed Caption function
- All of the above functions are fabricated on a single chip.

Features

- Read-Only Memory (ROM):
 - 49152×8 bits / 40960×8 bits / 32768×8 bits / 28672×8 bits / 24576×8 bits / 20480×8 bits / 16384×8 bits for program
 - 16128×8 bits for CGROM
- Random Access Memory (RAM):
 - 512×8 bits (working area) : LC863448C/40C
 - 384×8 bits (working area) : LC863432C/28C/24C/20C/16C
 - 128×8 bits (working or ROM correction function)
 - 352×9 bits (for CRT display)
- OSD Functions
 - Screen display : 36 characters×16 lines (by software)
 - RAM : 352 words (9 bits per word)
 - Display area : 36 words×8 lines
 - Control area : 8 words×8 lines
 - Characters
 - Up to 252 kinds of 16×32 dot character fonts (4 characters including 1 test character are not programmable)
 - Each font can be divided into two parts and used as two fonts (Ex. 16×16 dot character font×2)
 - At least 111 characters need to be divide between a 16×17 dot and 8×9 dot character font to display the caption fonts.
 - Various character attributes
 - Character colors : 16colors (analog mode: 1Vp-p output) / 8colors (digital mode)
 - Character background colors : 16colors (analog mode: 1Vp-p output) / 8colors (digital mode)
 - Fringe / shadow colors : 16colors (analog mode: 1Vp-p output) / 8colors (digital mode)
 - Full screen colors : 16colors (analog mode: 1Vp-p output) / 8colors (digital mode)
 - Rounding
 - Underline
 - Italic character (slanting)
 - Attribute can be changed without spacing
 - Vertical display start line number can be set for each row independently (Rows can be overlapped)
 - Horizontal display start position can be set for each row independently
 - Horizontal pitch (9 to 16 dots)*1 and vertical pitch (1 to 32 dots) can be set for each row independently
 - Different display modes can be set for each row independently
 - Caption • Text mode / OSD mode 1 / OSD mode 2 (Quarter size) / Simplified graphic mode
 - Ten character sizes *1
 - Horez. × Vert. = (1×1), (1×2), (2×2), (2×4), (0.5×0.5)
 - (1.5×1), (1.5×2), (3×2), (3×4), (0.75×0.5)
 - Shuttering and scrolling on each row
 - Simplified Graphic Display

Note *1: range depends on display mode : refer to the manual for details.
- Data Slicer (closed caption format)
 - Closed caption data and XDS data extraction
 - NTSC/PAL, and extracted line can be specified

LC863448C/40C/32C/28C/24C/20C/16C

■ Bus Cycle Time / Instruction-Cycle Time

Bus Cycle Time	Instruction Cycle Time	Clock Divider	System Clock Oscillation	Oscillation Frequency	Voltage
0.424μs	0.848μs	1/2	Internal VCO (Ref: X'tal 32.768kHz)	14.156MHz	4.5V to 5.5V
7.5μs	15.0μs	1/2	Internal RC	800kHz	4.5V to 5.5V
91.55μs	183.1μs	1/1	Crystal	32.768kHz	4.5V to 5.5V
183.1μs	366.2μs	1/2	Crystal	32.768kHz	4.5V to 5.5V

■ Ports

- Input / Output Ports : 4 ports (23 terminals)
Data direction programmable in nibble units : 1 port (8 terminals)
(If the N-ch open drain output is selected by option, the corresponding port data can be read in output mode.)
Data direction programmable for each bit individually: 3 ports (15 terminals)

■ AD Converter

- 4 channels×6-bit AD converters

■ Serial Interfaces

- IIC-bus compliant serial interface (Multi-master type)
Consists of a single built-in circuit with two I/O channels. The two data lines and two clock lines can be connected internally.

■ PWM Output

- 3 channels×7-bit PWM

■ Timer

- Timer 0: 16-bit timer/counter
With 2-bit prescaler + 8-bit programmable prescaler
Mode 0: Two 8-bit timers with a programmable prescaler
Mode 1: 8-bit timer with a programmable prescaler + 8-bit counter
Mode 2: 16-bit timer with a programmable prescaler
Mode 3: 16-bit counter
The resolution of timer is 1 tCYC.
- Base Timer
Generate every 500ms overflow for a clock application
(using 32.768kHz crystal oscillation for the base timer clock)
Generate every 976μs, 3.9ms, 15.6ms, 62.5ms overflow
(using 32.768kHz crystal oscillation for the base timer clock)
Clock for the base timer is selectable from 32.768kHz crystal oscillation, system clock or programmable prescaler output of Timer 0

■ Remote Control Receiver Circuit (connected to the P73/INT3/T0IN terminal)

- Noise rejection function
- Polarity switching

■ Watchdog Timer

External RC circuit is required
Interrupt or system reset is activated when the timer overflows

■ ROM Correction Function

Max 128 bytes / 2 addresses

■ Interrupts

- 12 sources 8 vectored interrupts
 1. External Interrupt INT0
 2. External Interrupt INT1
 3. External Interrupt INT2, Timer/counter T0L (Lower 8 bits)
 4. External Interrupt INT3, base timer
 5. Timer/counter T0H (Upper 8 bits)
 6. Data slicer
 7. Vertical synchronous signal interrupt (\overline{VS}), horizontal line (\overline{HS})
 8. IIC, Software
- Interrupt Priority Control

Three interrupt priorities are supported (low, high and highest) and multi-level nesting is possible. Low or high priority can be assigned to the interrupts from 3 to 8 listed above. For the external interrupt INT0 and INT1, low or highest priority can be set.

■ Sub-routine Stack Level

- A maximum of 128 levels (stack is built in the internal RAM)

■ Multiplication/Division Instruction

- 16 bits×8 bits (7 instruction cycle times)
- 16 bits÷8 bits (7 instruction cycle times)

■ 3 Oscillation Circuits

- Built-in RC oscillation circuit used for the system clock
- Built-in VCO circuit used for the system clock and OSD
- X'tal oscillation circuit used for base timer, system clock and PLL reference

■ Standby Function

- HALT mode

The HALT mode is used to reduce the power dissipation. In this operation mode, the program execution is stopped. This mode can be released by the interrupt request or the system reset.
- HOLD mode

The HOLD mode is used to stop the oscillations; RC (internal), VCO, and X'tal oscillations. This mode can be released by the following conditions.

 - Pull the reset terminal (\overline{RES}) to low level.
 - Feed the selected level to either P70/INT0 or P71/INT1.

■ Package

- MFP36SDJ(375mil) : Lead-free type
- DIP36S(400mil) : Lead-free type

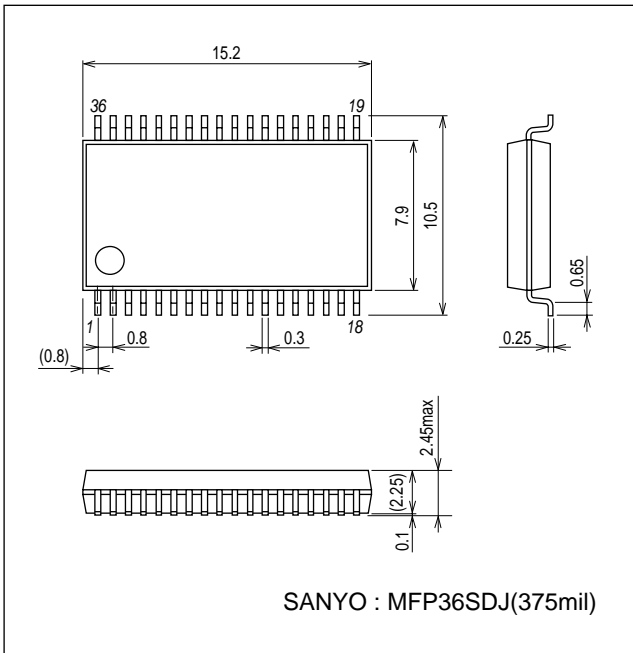
■ Development Tools

- Flash EEPROM: LC86F3448B
- Evaluation chip: LC863096
- Emulator: EVA86000 (main) + ECB863200A (evaluation chip board)
 - + SUB863400A (sub board)
 - + POD36-CABLE (cable)
 - + POD36-DIP (for DIP36S)
 - or POD36-MFP (for MFP36SDJ)

Package Dimensions

unit : mm (typ)

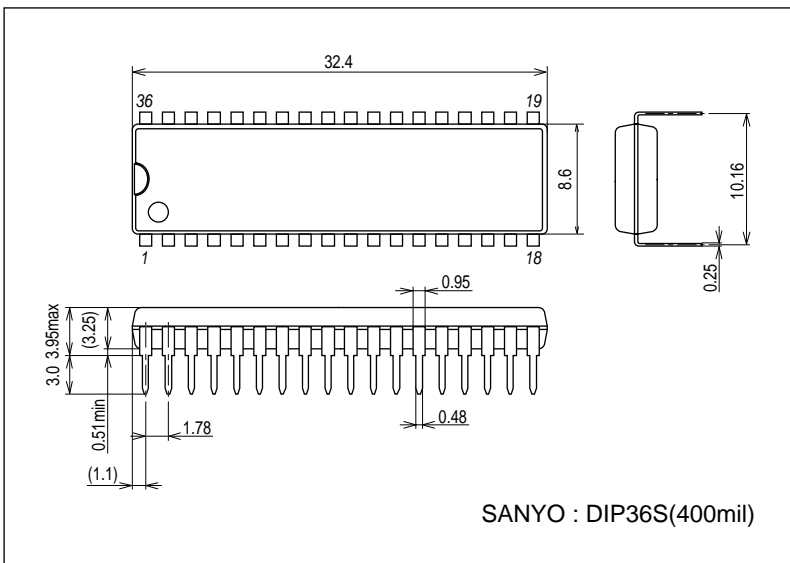
3263



Package Dimensions

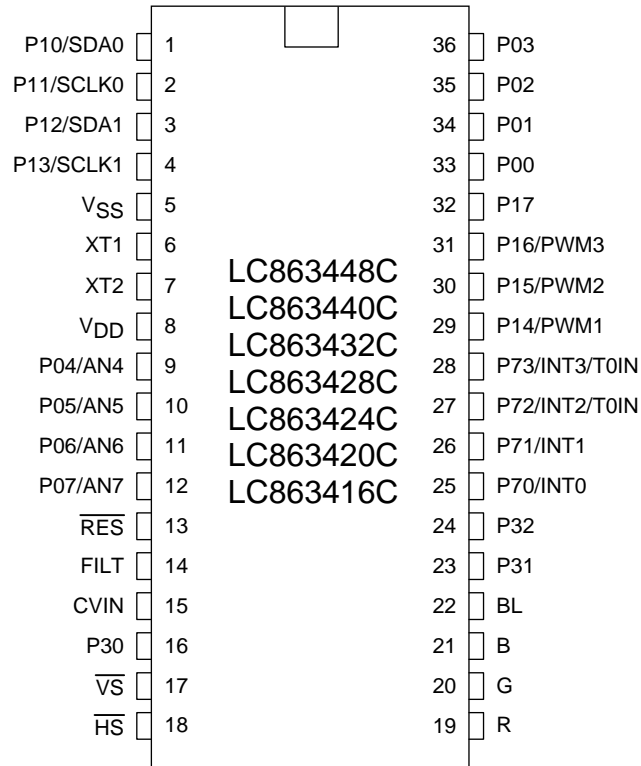
unit : mm (typ)

3170A



LC863448C/40C/32C/28C/24C/20C/16C

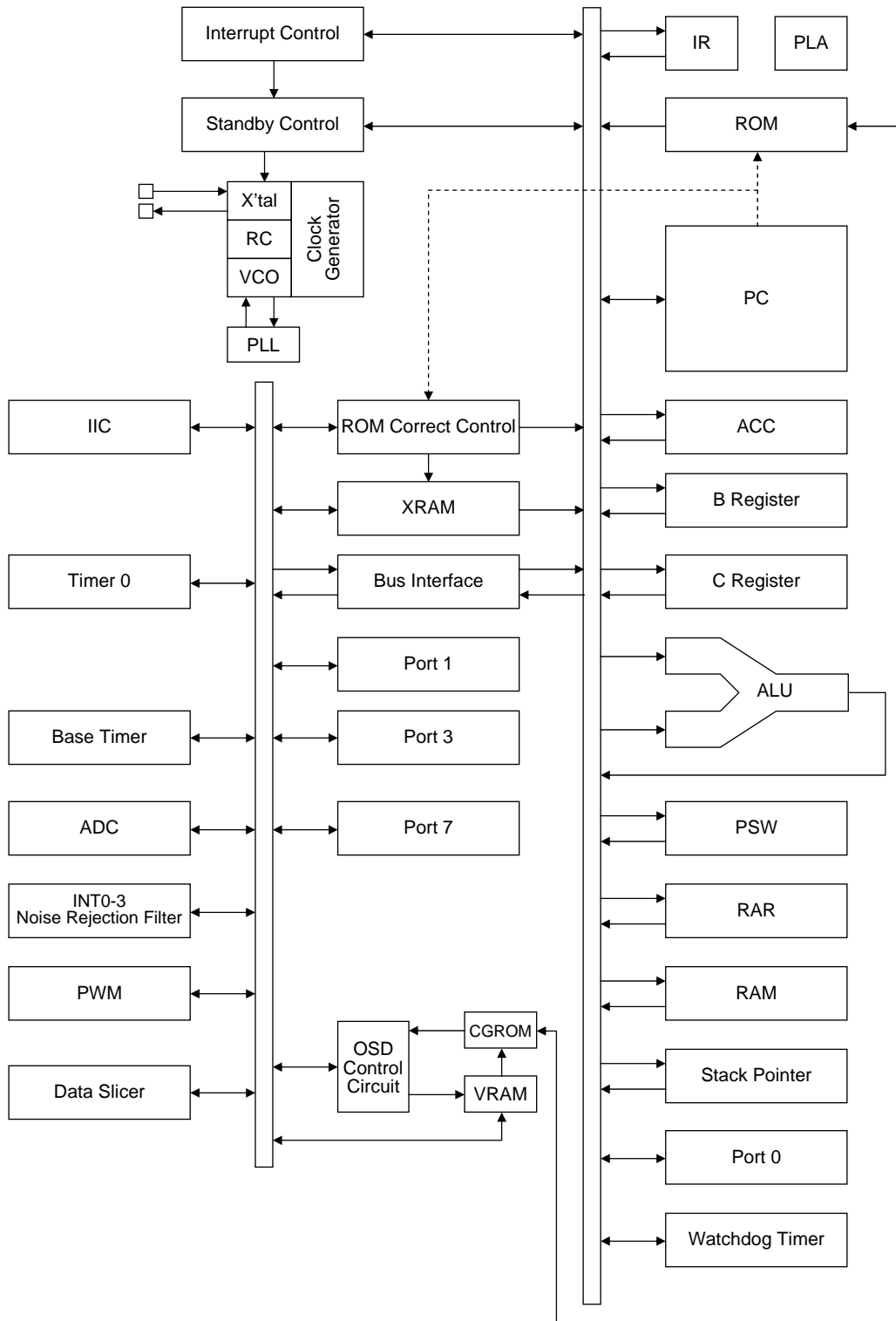
Pin Assignment



Top view

SANYO: MFP36SDJ(375mil) "Lead-free Type"
SANYO: DIP36S(400mil) "Lead-free Type"

System Block Diagram



LC863448C/40C/32C/28C/24C/20C/16C

Pin Description

Pin Description Table

Terminal	I/O	Function Description	Option																																											
V _{SS}	-	Negative power supply																																												
XT1	I	Input terminal for crystal oscillator																																												
XT2	O	Output terminal for crystal oscillator																																												
V _{DD}	-	Positive power supply																																												
RES	I	Reset terminal																																												
FILT	O	Filter terminal for PLL																																												
CVIN	I	Video signal input terminal																																												
V _S	I	Vertical synchronization signal input terminal																																												
H _S	I	Horizontal synchronization signal input terminal																																												
R	O	Red (R) output terminal of RGB image output																																												
G	O	Green (G) output terminal of RGB image output																																												
B	O	Blue (B) output terminal of RGB image output																																												
BL	O	Fast blanking control signal Switch TV image signal and caption/OSD image signal																																												
Port 0 P00 to P07	I/O	<ul style="list-style-type: none"> 8-bit input/output port, Input/output can be specified in nibble unit (If the N-ch open drain output is selected by option, the corresponding port data can be read in output mode.) Other functions AD converter input port (P04 to P07: 4 channels) 	Pull-up resistor provided/not provided Output Format CMOS/Nch-OD																																											
Port 1 P10 to P17	I/O	<ul style="list-style-type: none"> 8-bit input/output port Input/output can be specified for each bit (programmable pull-up resistor provided) Other functions <table border="1" style="margin-left: 20px; border-collapse: collapse;"> <tr><td>P10</td><td>IIC0 data I/O</td></tr> <tr><td>P11</td><td>IIC0 clock output</td></tr> <tr><td>P12</td><td>IIC1 data I/O</td></tr> <tr><td>P13</td><td>IIC1 clock output</td></tr> <tr><td>P14</td><td>PWM1 output</td></tr> <tr><td>P15</td><td>PWM2 output</td></tr> <tr><td>P16</td><td>PWM3 output</td></tr> </table>	P10	IIC0 data I/O	P11	IIC0 clock output	P12	IIC1 data I/O	P13	IIC1 clock output	P14	PWM1 output	P15	PWM2 output	P16	PWM3 output	Output Format CMOS/Nch-OD																													
P10	IIC0 data I/O																																													
P11	IIC0 clock output																																													
P12	IIC1 data I/O																																													
P13	IIC1 clock output																																													
P14	PWM1 output																																													
P15	PWM2 output																																													
P16	PWM3 output																																													
Port 3 P30 to P32	I/O	<ul style="list-style-type: none"> 3-bit input/output port Input/output can be specified for each bit (CMOS output/input with programmable pull-up resistor) 																																												
Port 7 P70 P71 to P73	I/O	<ul style="list-style-type: none"> 4-bit input/output port Input or output can be specified for each bit (P70: I/O with programmable pull-up resistor P71 to P73: CMOS output/input with programmable pull-up resistor) Other functions <table border="1" style="margin-left: 20px; border-collapse: collapse;"> <tr><td>P70</td><td>INT0 input/HOLD release input/ Nch-Tr. output for watchdog timer</td></tr> <tr><td>P71</td><td>INT1 input/HOLD release input</td></tr> <tr><td>P72</td><td>INT2 input/Timer 0 event input</td></tr> <tr><td>P73</td><td>INT3 input (noise rejection filter connected)/ Timer 0 event input</td></tr> </table> <p style="margin-left: 20px;">Interrupt receiver format, vector addresses</p> <table border="1" style="margin-left: 20px; border-collapse: collapse;"> <thead> <tr> <th></th> <th>Rising</th> <th>Falling</th> <th>Rising/ Falling</th> <th>H level</th> <th>L level</th> <th>Vector</th> </tr> </thead> <tbody> <tr> <td>INT0</td> <td>enable</td> <td>enable</td> <td>disable</td> <td>enable</td> <td>enable</td> <td>03H</td> </tr> <tr> <td>INT1</td> <td>enable</td> <td>enable</td> <td>disable</td> <td>enable</td> <td>enable</td> <td>0BH</td> </tr> <tr> <td>INT2</td> <td>enable</td> <td>enable</td> <td>enable</td> <td>disable</td> <td>disable</td> <td>13H</td> </tr> <tr> <td>INT3</td> <td>enable</td> <td>enable</td> <td>enable</td> <td>disable</td> <td>disable</td> <td>1BH</td> </tr> </tbody> </table>	P70	INT0 input/HOLD release input/ Nch-Tr. output for watchdog timer	P71	INT1 input/HOLD release input	P72	INT2 input/Timer 0 event input	P73	INT3 input (noise rejection filter connected)/ Timer 0 event input		Rising	Falling	Rising/ Falling	H level	L level	Vector	INT0	enable	enable	disable	enable	enable	03H	INT1	enable	enable	disable	enable	enable	0BH	INT2	enable	enable	enable	disable	disable	13H	INT3	enable	enable	enable	disable	disable	1BH	
P70	INT0 input/HOLD release input/ Nch-Tr. output for watchdog timer																																													
P71	INT1 input/HOLD release input																																													
P72	INT2 input/Timer 0 event input																																													
P73	INT3 input (noise rejection filter connected)/ Timer 0 event input																																													
	Rising	Falling	Rising/ Falling	H level	L level	Vector																																								
INT0	enable	enable	disable	enable	enable	03H																																								
INT1	enable	enable	disable	enable	enable	0BH																																								
INT2	enable	enable	enable	disable	disable	13H																																								
INT3	enable	enable	enable	disable	disable	1BH																																								

Note: A capacitor of at least 10μF must be inserted between V_{DD} and V_{SS} when using this IC.

LC863448C/40C/32C/28C/24C/20C/16C

- Output form and existence of pull-up resistor for all ports can be specified for each bit.
- Programmable pull-up resistor is always connected regardless of port option, CMOS or N-ch open drain output in port 1.
- Port status in reset

Terminal	I/O	Pull-up resistor status at selecting CMOS output option
Port 0	I	Pull-up resistor OFF, ON after reset release
Port 1	I	Programmable pull-up resistor OFF

Absolute Maximum Ratings at Ta = 25°C, VSS = 0V

Parameter		Symbol	Pins	Conditions	V _{DD} [V]	Ratings			unit	
						min	typ	max		
Maximum supply voltage		V _{DD} max	V _{DD}			-0.3		+6.5	V	
Input voltage		V _I (1)	\overline{RES} , \overline{HS} , \overline{VS} , CVIN			-0.3		V _{DD} +0.3		
Output voltage		V _O (1)	R, G, B, BL, FILT			-0.3		V _{DD} +0.3		
Input/output voltage		V _{IO}	Ports 0, 1, 3, 7			-0.3		V _{DD} +0.3		
High level output current	Peak output current	IOPH(1)	Ports 0, 1, 3, 7	•CMOS output •For each pin.		-4			mA	
		IOPH(2)	R, G, B, BL	•CMOS output •For each pin.		-5				
	Total output current	ΣIOAH(1)	Ports 0, 1	Total of all pins.			-20			
		ΣIOAH(2)	Ports 3, 7	Total of all pins.			-10			
ΣIOAH(3)		R, G, B, BL	Total of all pins.			-12				
Low level output current	Peak output current	IOPL(1)	Ports 0, 1, 3	For each pin.				20		
		IOPL(2)	Port 7	For each pin.				15		
		IOPL(3)	R, G, B, BL	For each pin.				5		
	Total output current	ΣIOAL(1)	Ports 0, 1	Total of all pins.				40		
		ΣIOAL(2)	Ports 3, 7	Total of all pins.				20		
	ΣIOAL(3)	R, G, B, BL	Total of all pins.				12			
Maximum power dissipation		Pd max	MFP36SDJ(375mil)	Ta=-10 to +70°C				360	mW	
	DIP36S(400mil)					610				
Operating temperature range		T _{opr}				-10		+70	°C	
Storage temperature range		T _{stg}				-55		+125		

LC863448C/40C/32C/28C/24C/20C/16C

Recommended Operating Range at Ta = -10°C to +70°C, VSS = 0V

Parameter	Symbol	Pins	Conditions	Ratings			unit	
				V _{DD} [V]	min	typ		max
Operating supply voltage range	V _{DD} (1)	V _{DD}	0.844μs ≤ tCYC ≤ 0.852μs		4.5		5.5	V
	V _{DD} (2)		4μs ≤ tCYC ≤ 400μs		4.5		5.5	
Hold voltage	V _H D	V _{DD}	RAMs and the registers data are kept in HOLD mode.		2.0		5.5	
High level input voltage	V _{IH} (1)	Port 0	Output disable	4.5 to 5.5	0.6V _{DD}		V _{DD}	
	V _{IH} (2)	<ul style="list-style-type: none"> • Ports 1, 3 (Schmitt) • Port 7 (Schmitt) port input/interrupt • \overline{HS}, \overline{VS}, \overline{RES} (Schmitt) 	Output disable	4.5 to 5.5	0.75V _{DD}		V _{DD}	
	V _{IH} (3)	Port 70 Watchdog timer input	Output disable	4.5 to 5.5	V _{DD} -0.5		V _{DD}	
Low level input voltage	V _{IL} (1)	Port 0	Output disable	4.5 to 5.5	V _{SS}		0.2V _{DD}	
	V _{IL} (2)	<ul style="list-style-type: none"> • Ports 1, 3 (Schmitt) • Port 7 (Schmitt) port input/interrupt • \overline{HS}, \overline{VS}, \overline{RES} (Schmitt) 	Output disable	4.5 to 5.5	V _{SS}		0.25V _{DD}	
	V _{IL} (3)	Port 70 Watchdog timer input	Output disable	4.5 to 5.5	V _{SS}		0.6V _{DD}	
CVIN	V _{CVIN}	CVIN		5.0	0.7V _{p-p}	1V _{p-p}	1.4V _{p-p}	V _{p-p} *
Operation cycle time	tCYC(1)		• All functions operating	4.5 to 5.5	0.844	0.848	0.852	μs
	tCYC(2)		• OSD and Data slicer are not operating	4.5 to 5.5	0.844		400	
Oscillation frequency range	F _{mRC}		Internal RC oscillation	4.5 to 5.5	0.4	0.8	3.0	MHz

* V_{p-p}: Peak-to-peak voltage

LC863448C/40C/32C/28C/24C/20C/16C

Electrical Characteristics at Ta = -10°C to +70°C, VSS = 0V

Parameter	Symbol	Pins	Conditions	Ratings			unit	
				VDD[V]	min	typ		max
High level input current	I _{IH} (1)	Ports 0, 1, 3, 7	<ul style="list-style-type: none"> Output disable Pull-up MOS Tr. OFF V_{IN}=V_{DD} (including the off-leak current of the output Tr.) 	4.5 to 5.5			1	μA
	I _{IH} (2)	<ul style="list-style-type: none"> \overline{RES} \overline{HS}, \overline{VS} 	V _{IN} =V _{DD}	4.5 to 5.5			1	
Low level input current	I _{IL} (1)	Ports 0, 1, 3, 7	<ul style="list-style-type: none"> Output disable Pull-up MOS Tr. OFF V_{IN}=V_{SS} (including the off-leak current of the output Tr.) 	4.5 to 5.5	-1			
	I _{IL} (2)	<ul style="list-style-type: none"> \overline{RES} \overline{HS}, \overline{VS} 	V _{IN} =V _{SS}	4.5 to 5.5	-1			
High level output voltage	V _{OH} (1)	CMOS output of ports 0, 1, 3, 71 to 73	I _{OH} =-1.0mA	4.5 to 5.5	V _{DD} -1			V
	V _{OH} (2)	R, G, B, BL	I _{OH} =-0.1mA R, G, B: digital mode	4.5 to 5.5	V _{DD} -0.5			
Low level output voltage	V _{OL} (1)	Ports 0, 1, 3, 71 to 73	I _{OL} =10mA	4.5 to 5.5			1.5	V
	V _{OL} (2)	Ports 0, 3, 71 to 73	I _{OL} =1.6mA	4.5 to 5.5			0.4	
	V _{OL} (3)	<ul style="list-style-type: none"> R, G, B, BL Port 1 	I _{OL} =3.0mA R, G, B: digital mode	4.5 to 5.5			0.4	
	V _{OL} (4)	Port 70	I _{OL} =1mA	4.5 to 5.5			0.4	
Pull-up MOS Tr. resistance	R _{pu}	Ports 0, 1, 3, 7	V _{OH} =0.9V _{DD}	4.5 to 5.5	13	38	80	kΩ
Bus terminal short circuit resistance (SCL0-SCL1, SDA0-SDA1)	R _{BS}	<ul style="list-style-type: none"> P10 to P12 P11 to P13 		4.5 to 5.5		130	300	Ω
Hysteresis voltage	V _{HYS}	<ul style="list-style-type: none"> Ports 1, 3, 7 \overline{RES} \overline{HS}, \overline{VS} 	Output disable	4.5 to 5.5		0.1V _{DD}		V
Input clump voltage	V _{CLMP}	CVIN		5.0	2.3	2.5	2.7	
Pin capacitance	CP	All pins	<ul style="list-style-type: none"> f=1MHz Every other terminals are connected to V_{SS}. Ta=25°C 	4.5 to 5.5		10		pF

LC863448C/40C/32C/28C/24C/20C/16C

IIC Input/Output Conditions at Ta = -10°C to +70°C, VSS = 0V

Parameter	Symbol	Standard		High speed		unit
		min	max	min	max	
SCL Frequency	fSCL	0	100	0	400	kHz
BUS free time between stop - start	tBUF	4.7	-	1.3	-	μs
HOLD time of start, restart condition	tHD;STA	4.0	-	0.6	-	μs
L time of SCL	tLOW	4.7	-	1.3	-	μs
H time of SCL	tHIGH	4.0	-	0.6	-	μs
Set-up time of restart condition	tSU;STA	4.7	-	0.6	-	μs
HOLD time of SDA	tHD;DAT	0	-	0	0.9	μs
Set-up time of SDA	tSU;DAT	250	-	100	-	ns
Rising time of SDA, SCL	tR	-	1000	20+0.1Cb	300	ns
Falling time of SDA, SCL	tF	-	300	20+0.1Cb	300	ns
Set-up time of stop condition	tSU;STO	4.0	-	0.6	-	μs

Refer to figure 8

Note 1: Cb: Total capacitance of all BUS (unit : pF)

Pulse Input Conditions at Ta = -10°C to +70°C, VSS = 0V

Parameter	Symbol	Pins	Conditions	VDD[V]	Ratings			unit
					min	typ	max	
High/low level pulse width	tPIH(1) tPIL(1)	• INT0, INT1 • INT2/T0IN	• Interrupt acceptable • Timer0-countable	4.5 to 5.5	1			tCYC
	tPIH(2) tPIL(2)	INT3/T0IN (1tCYC is selected for noise rejection clock.)	• Interrupt acceptable • Timer0-countable	4.5 to 5.5	2			
	tPIH(3) tPIL(3)	INT3/T0IN (16tCYC is selected for noise rejection clock.)	• Interrupt acceptable • Timer0-countable	4.5 to 5.5	32			
	tPIH(4) tPIL(4)	INT3/T0IN (64tCYC is selected for noise rejection clock.)	• Interrupt acceptable • Timer0-countable	4.5 to 5.5	128			
	tPIL(5)	RES	Reset acceptable	4.5 to 5.5	200			μs
tPIH(6) tPIL(6)	HS, VS	• Display position controllable • The active edge of HS and VS must be apart at least 1tCYC. • Refer to figure 4.	4.5 to 5.5	3				
Rising/falling time	tTHL tTLH	HS	Refer to figure 4.	4.5 to 5.5			500	ns

AD Converter Characteristics at Ta = -10°C to +70°C, VSS = 0V

Parameter	Symbol	Pins	Conditions	VDD[V]	Ratings			unit	
					min	typ	max		
Resolution	N			4.5 to 5.5		6		bit	
Absolute precision	ET		(Note 2)				±1		LSB
Conversion time	tCAD	Vref selection to conversion finish	1 bit conversion time=2×Tcyc				1.69		μs
Analog input voltage range	VAIN	AN4 to AN7				VSS		VDD	V
Analog port input current	IAINH IAINL		VAIN=VDD VAIN=VSS					1	μA
					-1				

Note 2: Absolute precision does not include quantizing error (1/2LSB).

LC863448C/40C/32C/28C/24C/20C/16C

Analog Mode RGB Characteristics at Ta = -10°C to +70°C, VSS = 0V

Parameter	Symbol	Pins	Conditions	Ratings				
				VDD[V]	min.	typ.	max.	unit
Analog output voltage		R.G.B Analog output mode	Low level output	5.0	0.45	0.5	0.55	V
			Intensity output		0.90	1.0	1.10	
			Hi level output		1.35	1.5	1.65	
Time setting		R.G.B	70% 10pf load				50	ns

Sample Current Dissipation Characteristics at Ta = -10°C to +70°C, VSS = 0V

The sample current dissipation characteristics is the measurement result of Sanyo provided evaluation board when the recommended circuit parameters shown in the sample oscillation circuit characteristics are used externally.

The currents through the output transistors and the pull-up MOS transistors are ignored.

Parameter	Symbol	Pins	Conditions	Ratings			unit	
				VDD[V]	min	typ		max
Current dissipation during basic operation (Note 3)	IDDOP(1)	VDD	<ul style="list-style-type: none"> FmX'tal=32.768kHz X'tal oscillation System clock : VCO VCO for OSD operating OSD is Digital mode Internal RC oscillation stops 	4.5 to 5.5		11	25	mA
	IDDOP(2)	VDD	<ul style="list-style-type: none"> FmX'tal=32.768kHz X'tal scillation System clock: VCO VCO for OSD operating OSD is Analog mode Internal RC oscillation stops 	4.5 to 5.5		20	35	
	IDDOP(3)	VDD	<ul style="list-style-type: none"> FmX'tal=32.768kHz X'tal scillation System clock : X'tal (Instruction cycle time: 366.2μs) VCO for system VCO for OSD, internal RC oscillation stop Data slicer, AD converters stop 	4.5 to 5.5		65	300	μA
Current dissipation in HALT mode (Note 3)	IDDHALT(1)	VDD	<ul style="list-style-type: none"> HALT mode FmX'tal=32.768kHz X'tal oscillation System clock : VCO VCO for OSD stops Internal RC oscillation stops 	4.5 to 5.5		3	9	mA
	IDDHALT(2)	VDD	<ul style="list-style-type: none"> HALT mode FmX'tal=32.768kHz X'tal oscillation VCO for system stops VCO for OSD stops System clock : Internal RC 	4.5 to 5.5		300	1000	
	IDDHALT(3)	VDD	<ul style="list-style-type: none"> HALT mode FmX'tal=32.768kHz X'tal oscillation VCO for system stops VCO for OSD stops System clock: X'tal (Instruction cycle time: 366.2μs) 	4.5 to 5.5		57	200	μA
Current dissipation in HOLD mode (Note 3)	IDDHOLD	VDD	<ul style="list-style-type: none"> HOLD mode All oscillation stops. 	4.5 to 5.5		0.05	20	μA

Note 3: The currents through the output transistors and the pull-up MOS transistors are ignored.

Recommended Oscillation Circuit and Sample Characteristics

The sample oscillation circuit characteristics in the table below is based on the following conditions:
 Recommended circuit parameters are verified by an oscillator manufacturer using a Sanyo provided oscillation evaluation board.

Sample characteristics are the result of the evaluation with the recommended circuit parameters connected externally.

Recommended oscillation circuit and sample characteristics (Ta = -10°C to +70°C)

Frequency	Manufacturer	Oscillator	Recommended circuit parameters				Operating supply voltage range	Oscillation stabilizing time		Notes
			C1	C2	Rf	Rd		typ	max	
32.768kHz	EPSON TOYOCOM	MC-306	18pF	18pF	OPEN	390kΩ	4.5 to 5.5V	1.0s	1.5s	Applicable CL value=12.5pF SMD type

Notes: The oscillation stabilizing time period is the time until the VCO oscillation for the internal system becomes stable after the following conditions. (Refer to Figure 2.)

1. The V_{DD} becomes higher than the minimum operating voltage after the power is supplied.
2. The HOLD mode is released.

The sample oscillation circuit characteristics may differ applications. For further assistance, please contact with oscillator manufacturer with the following notes in your mind.

- Since the oscillation frequency precision is affected by wiring capacity of the application board, etc., adjust the oscillation frequency on the production board.
- The above oscillation frequency and the operating supply voltage range are based on the operating temperature of -10°C to +70°C. For the use with the temperature outside of the range herein, or in the applications requiring high reliability such as car products, please consult with oscillator manufacturer.
- When using the oscillator which is not shown in the sample oscillation circuit characteristics, please consult with Sanyo sales personnel.

Since the oscillation circuit characteristics are affected by the noise or wiring capacity because the circuit is designed with low gain in order to reduce the power dissipation, refer to the following notices.

- The distance between the clock I/O terminal (XT1 terminal XT2 terminal) and external parts should be as short as possible.
- The capacitors' V_{SS} should be allocated close to the microcontroller's GND terminal and be away from other GND.
- The signal lines with rapid state changes or with large current should be allocated away from the oscillation circuit.

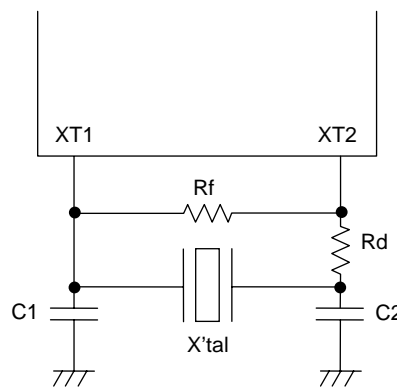
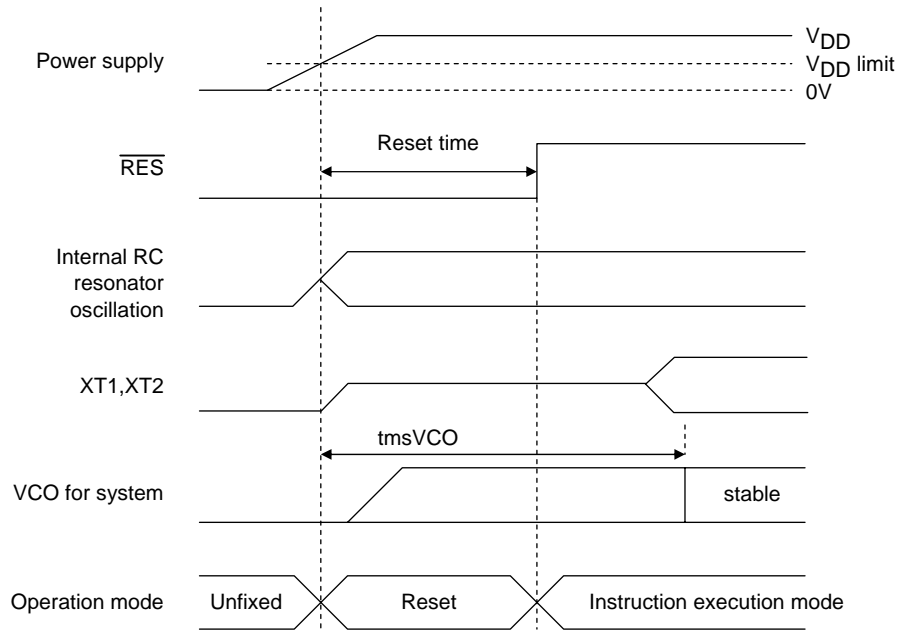
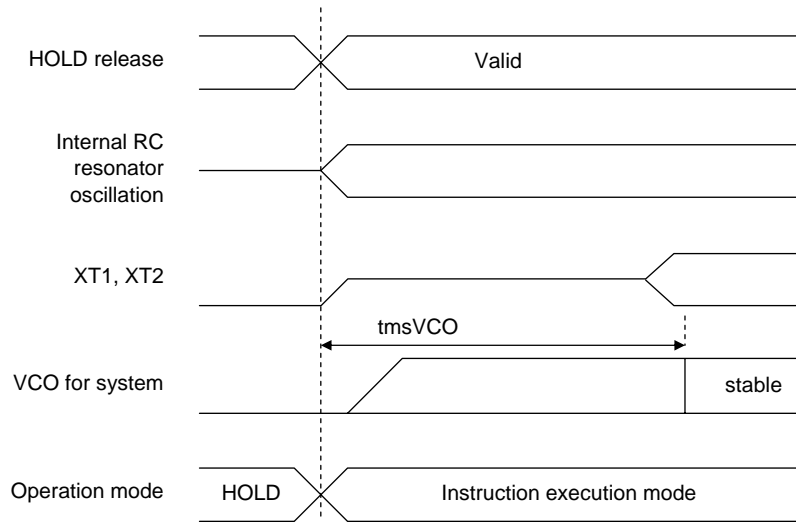


Figure 1 Recommended Oscillation Circuit



Reset Time and Oscillation Stabilizing Time



HOLD Release Signal and Oscillation Stabilizing Time

Figure 2 Oscillation Stabilizing Time

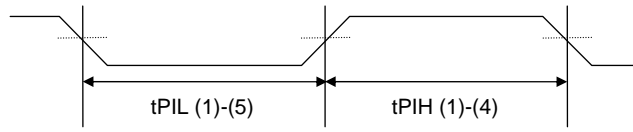


Figure 3 Pulse Input Timing Condition - 1

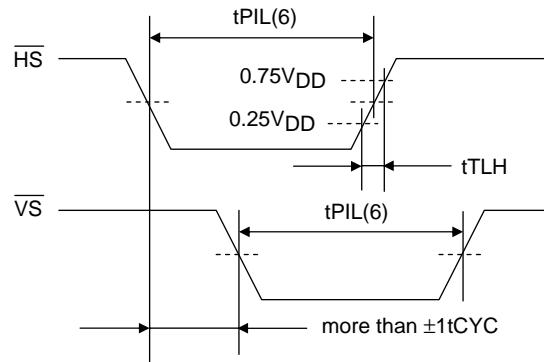


Figure 4 Pulse Input Timing Condition - 2

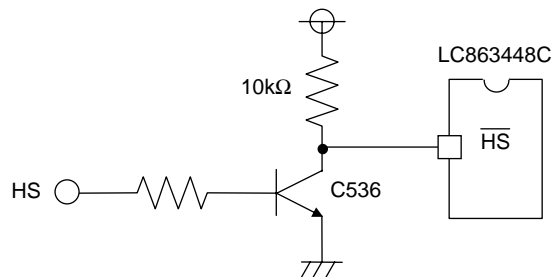
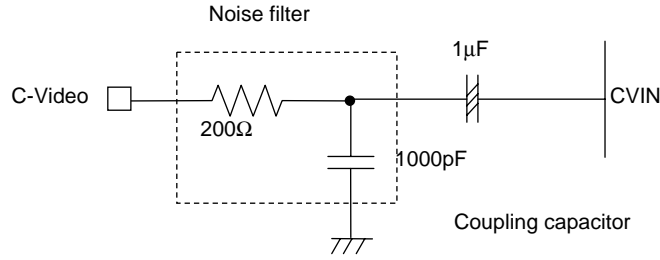


Figure 5 Recommended Interface Circuit



Output impedance of C-Video before Noise filter should be less than 100Ω.

Figure 6 CVIN Recommended Circuit

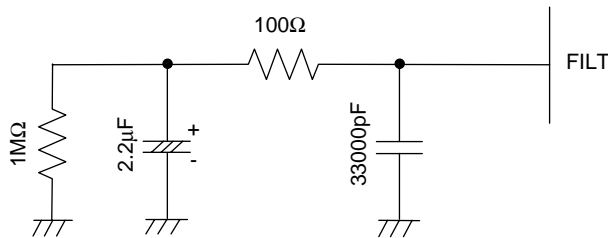
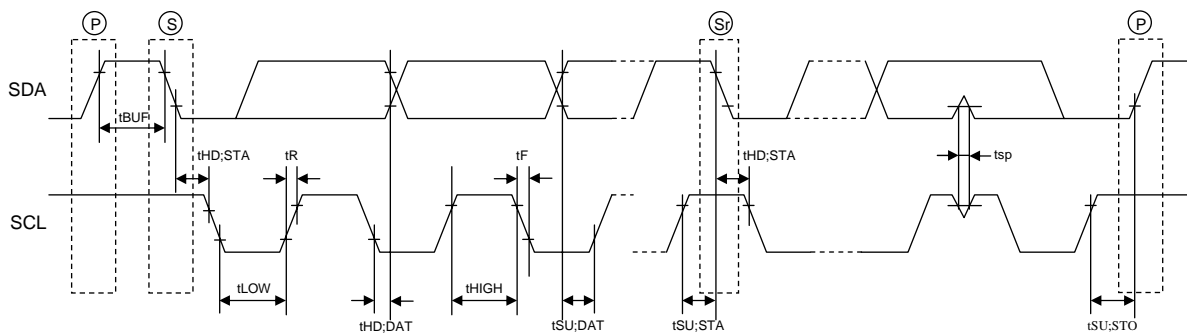


Figure 7 FILT Recommended Circuit

Note: Place FILT parts on board as close to the microcontroller as possible.



S : start condition
P : stop condition
Sr : restart condition

tsp : spike suppression

Standard mode : not exist
High speed mode : less than 50ns

Figure 8 IIC Timing

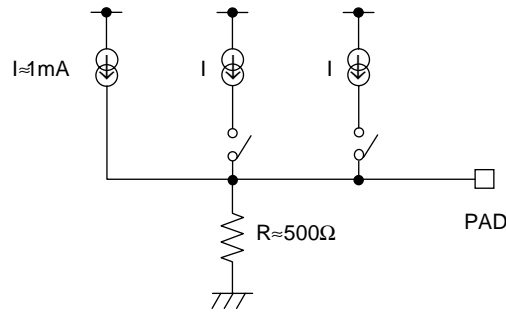


Figure 9 R.G.B. Analog Output Equivalent Circuit

- SANYO Semiconductor Co.,Ltd. assumes no responsibility for equipment failures that result from using products at values that exceed, even momentarily, rated values (such as maximum ratings, operating condition ranges, or other parameters) listed in products specifications of any and all SANYO Semiconductor Co.,Ltd. products described or contained herein.
- SANYO Semiconductor Co.,Ltd. strives to supply high-quality high-reliability products, however, any and all semiconductor products fail or malfunction with some probability. It is possible that these probabilistic failures or malfunction could give rise to accidents or events that could endanger human lives, trouble that could give rise to smoke or fire, or accidents that could cause damage to other property. When designing equipment, adopt safety measures so that these kinds of accidents or events cannot occur. Such measures include but are not limited to protective circuits and error prevention circuits for safe design, redundant design, and structural design.
- In the event that any or all SANYO Semiconductor Co.,Ltd. products described or contained herein are controlled under any of applicable local export control laws and regulations, such products may require the export license from the authorities concerned in accordance with the above law.
- No part of this publication may be reproduced or transmitted in any form or by any means, electronic or mechanical, including photocopying and recording, or any information storage or retrieval system, or otherwise, without the prior written consent of SANYO Semiconductor Co.,Ltd.
- Any and all information described or contained herein are subject to change without notice due to product/technology improvement, etc. When designing equipment, refer to the "Delivery Specification" for the SANYO Semiconductor Co.,Ltd. product that you intend to use.
- Information (including circuit diagrams and circuit parameters) herein is for example only; it is not guaranteed for volume production.
- Upon using the technical information or products described herein, neither warranty nor license shall be granted with regard to intellectual property rights or any other rights of SANYO Semiconductor Co.,Ltd. or any third party. SANYO Semiconductor Co.,Ltd. shall not be liable for any claim or suits with regard to a third party's intellectual property rights which has resulted from the use of the technical information and products mentioned above.

This catalog provides information as of September, 2008. Specifications and information herein are subject to change without notice.